



# LILY

## Needleless Connector

### Neutral Displacement

- ✓ Reduces Reflux
- ✓ Straight Path
- ✓ Safety

A dedicated design to reduce blood reflux  
and create microbial barrier



LILY MEDICAL

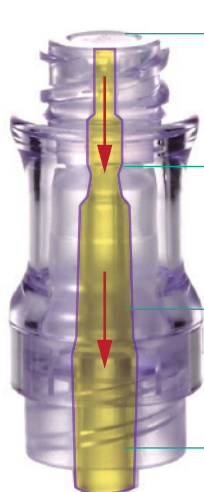
# Lily Medical Infusion Series Catalogue

LILY infusion devices are single-use, sterile, and non-pyrogenic solutions. All infusion devices are non-DEHP without latex material and entirely compatible with lipid medication to meet most hospital needs and existing procedures.

## Needleless Connector – Neutral Displacement

Needleless connector attach on device specifically features low reflux and low residue. It does not permit the use of needles, thereby enhancing compliance with needle-free practices.

### Features



- Flat Access Port with Slit Septum  
Easy to disinfect thoroughly per CDC recommended protocol. [a] [b]
- Gapless between Septum and Casing  
Mechanically provide an effective microbial barrier against bacteria contamination [c]
- Internal Straight Fluid Pathway  
Specifically designed to minimize reflux and priming volume with low dead space.
- Transparent Housing  
Visually confirm residue after medication and flush.
- ISO 10993 Compliant
- ISO 80369-7/-20+AAMI ANSI CN27:2021
- Non-PVC (Non-DEHP)
- E.O. and Gamma Sterilization Compatible

### Performance

Technical Specification	
Flow Rate at Gravity	170 ml/min
Backpressure resistance	40 psi
Power Injection	325 psi (Dynamic)
Priming Volume	0.07 ml
Residual Volume	0.07 ml
Reflux Volume	0.003 ml
Number of Activation	600
Duration of Use	7 days
MRI Compatibility	YES
Free of	DEHP, Latex, PVC

Drug Compatibility	
Alcohol	YES
Lipids	YES
Chlorhexidine	YES
Antineoplastic Drugs [d]	YES
Blood Compatibility	YES

Male Luer Lock



Y-port



Straight-port



standard bore  
small bore



LILY MEDICAL

TEL +886-37-612-625  
 FAX +886-37-612-720  
 E-MAIL [customer.service@lily-medical.com](mailto:customer.service@lily-medical.com)  
 WEB [www.lily-medical.com](http://www.lily-medical.com)  
 ADD NO.28-2, Shun Jeau Diann, Chunan Town.  
 Miaoli County, 35056. Taiwan R.O.C

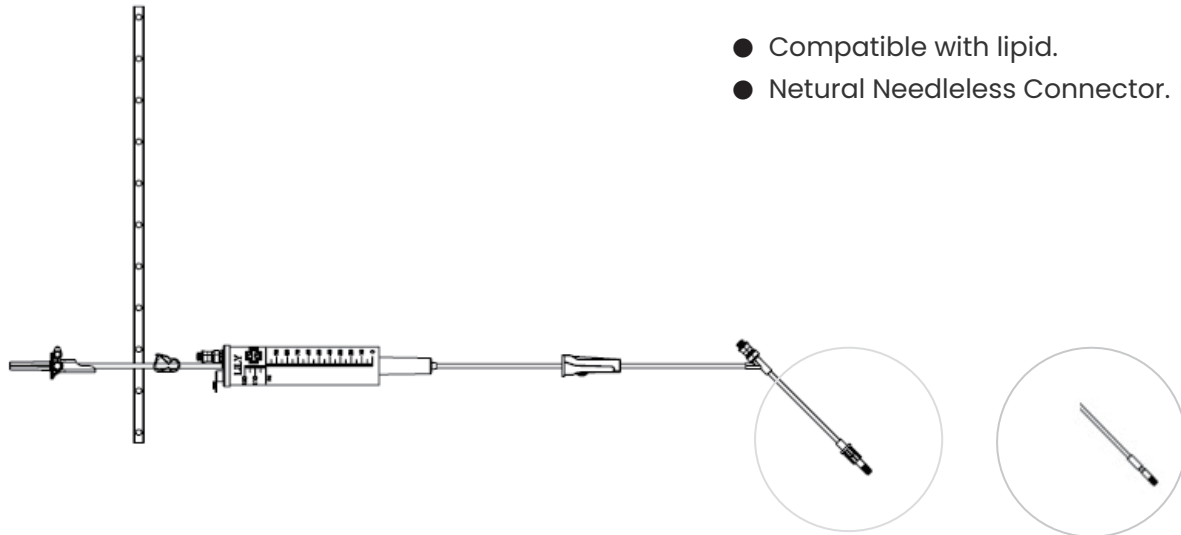


# Lily Medical Infusion Series Catalogue



## Infusion Volume Metric Administration Set

- Flow regulator for offering precision care and consistent delivery.
- Automatic shut-off swim valve to prevent air embolism.



- Compatible with lipid.
- Natural Needleless Connector.

**Non-DEHP**

**LATEX**

Model	SPEC	Burette	Male Luer
CIB-100NSE	3.1*4.1*2200mm, Roller clamp	100ml	Slip
CIB-100NLE	3.1*4.1*2200mm, Roller clamp	100ml	Rotating
CIB-120NSE	3.1*4.1*2200mm, Roller clamp	120ml	Slip
CIB-120NLE	3.1*4.1*2200mm, Roller clamp	120ml	Rotating
CIB-150NSE	3.1*4.1*2200mm, Roller clamp	150ml	Slip
CIB-150NLE	3.1*4.1*2200mm, Roller clamp	150ml	Rotating

### LILY MEDICAL CORPORATION

No. 28-2, Shun Jean Diann. Chunan Town. Miaoli County, Taiwan. Tel:+886-37-612-625. [www. Lily-medical.com](http://www.Lily-medical.com)

Drawings are not to be scaled. Information is subjected to be revised without further notice.

# Lily Medical Infusion Series Catalogue



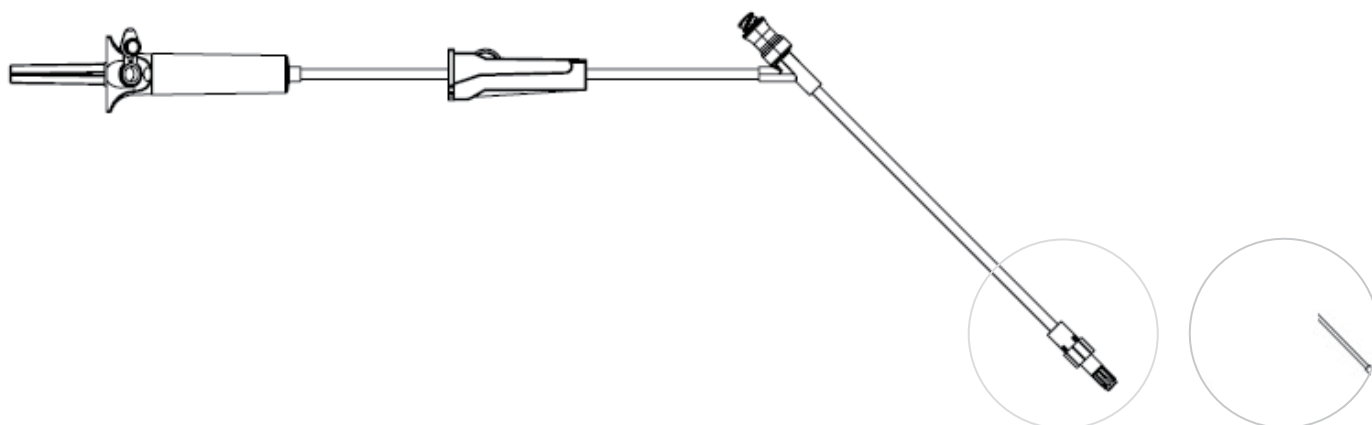
## I.V. Administration Set

- Compatible with lipid.
- Natural Needleless Connector.

Non-DEHP

~~LATEX~~

- Flow regulator for offering precision care and consistent delivery.



Model	SPEC	Drops/ml	Male Luer
CIV-180NSE	3.1*4.1*1920mm, Roller clamp	20	Slip
CIV-180NLE	3.1*4.1*1920mm, Roller clamp	20	Rotating
CIV-165NSM	3.1*4.1*1920mm, Roller clamp	60	Slip
CIV-165NLM	3.1*4.1*1920mm, Roller clamp	60	Rotating

## I.V. Extension Tube One Way

- Compatible with lipid.
- Natural Needleless Connector.

Non-DEHP

~~LATEX~~



Model	SPEC	Approx. Priming Volume(ml)	Male Luer
CET-TS02L0	3.1*4.1*150mm, Pinch clamp	1.27	Slip
CET-TS02S0	3.1*4.1*150mm, Pinch clamp	1.27	Rotating
CET-SS02L0	1.27*2.4*150mm, Pinch clamp	0.34	Slip
CET-SS02S0	1.27*2.4*150mm, Pinch clamp	0.34	Rotating

## LILY MEDICAL CORPORATION

No. 28-2, Shun Jean Diann. Chunan Town. Miaoli County, Taiwan. Tel:+886-37-612-625. www. Lily-medical.com

Drawings are not to be scaled. Information is subjected to be revised without further notice.

# Lily Medical Infusion Series Catalogue

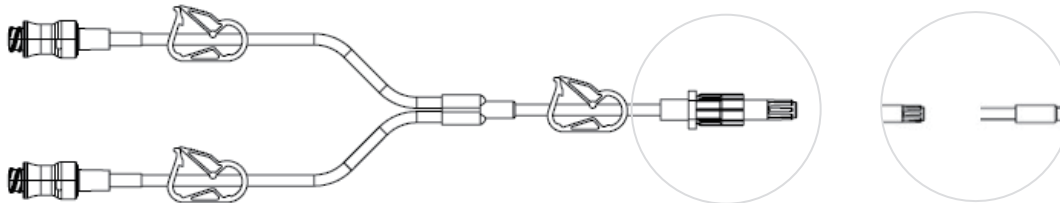


## I.V. Extension Tube Dual-Site

- Compatible with lipid.
- Natural Needleless Connector.

Non-DEHP

~~LATEX~~



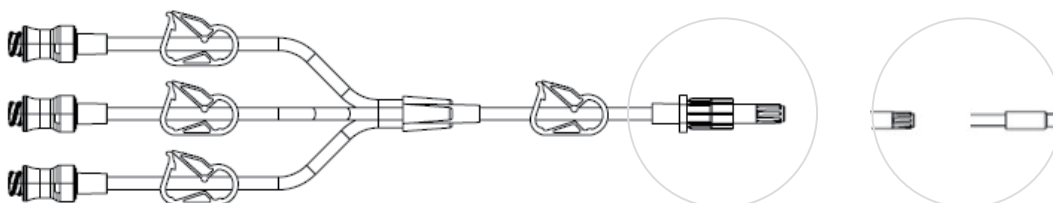
Model	SPEC	Approx. Priming Volume(ml)	Male Luer
CET-TD02L0	3.1*4.1*150mm, Pinch clamp	1.85	Slip
CET-TD02S0	3.1*4.1*150mm, Pinch clamp	1.85	Rotating
CET-SD02L0	1.27*2.4*150mm, Pinch clamp	0.47	Slip
CET-SD02S0	1.27*2.4*150mm, Pinch clamp	0.47	Rotating

## I.V. Extension Tube Triple-Site

- Compatible with lipid.
- Natural Needleless Connector.

Non-DEHP

~~LATEX~~



Model	SPEC	Approx. Priming Volume(ml)	Male Luer
CET-TM32L0	Tubing 3.1*4.1*150mm, Pinch/Slide clamp	2.23	Slip
CET-TM32S0	Tubing 3.1*4.1*150mm, Pinch/Slide clamp	2.23	Rotating
CET-SM32L0	Tubing 1.27*2.4*150mm, Pinch/Slide clamp	0.65	Slip/Rotating

### LILY MEDICAL CORPORATION

No. 28-2, Shun Jean Diann. Chunan Town. Miaoli County, Taiwan. Tel:+886-37-612-625. www. Lily-medical.com

Drawings are not to be scaled. Information is subjected to be revised without further notice.

# Lily Medical Infusion Series Catalogue

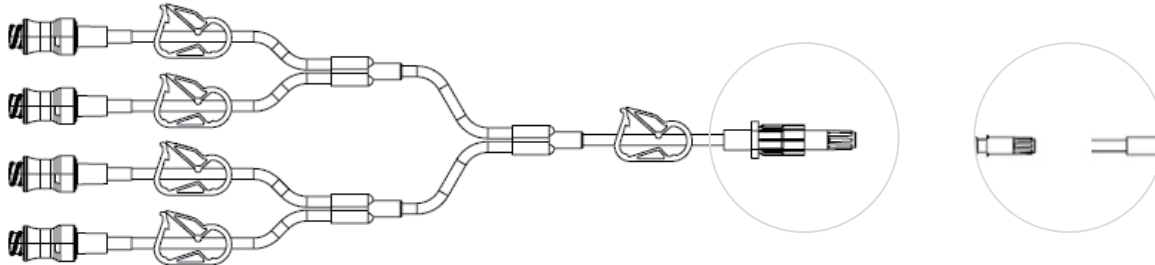


## I.V. Extension Tube Qual-Site

- Compatible with lipid.
- Natural Needleless Connector.

Non-DEHP

~~LATEX~~



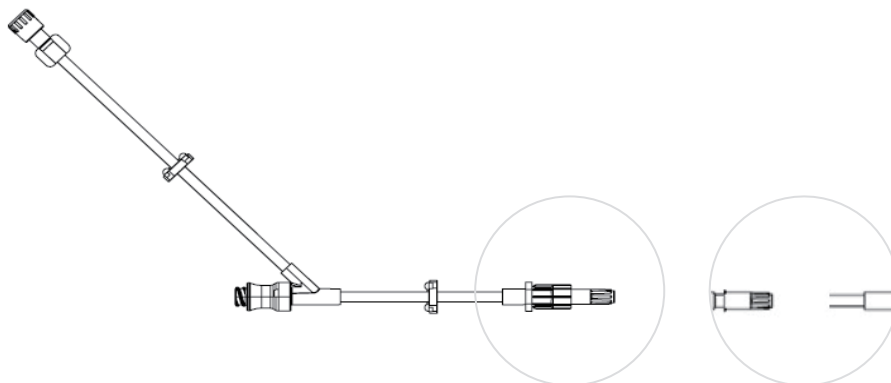
Model	SPEC	Approx. Priming Volume(ml)	Male Luer
CET-TM42L0	3.1*4.1*190mm, Pinch clamp	3.79	Slip
CET-TM42S0	3.1*4.1*190mm, Pinch clamp	3.79	Rotating
CET-SM42L0	1.27*2.4*190mm, Pinch clamp	1.16	Slip
CET-SM42S0	1.27*2.4*190mm, Pinch clamp	1.16	Rotating

## I.V. Extension Tube Y-Site

- Compatible with lipid.
- Natural Needleless Connector.

Non-DEHP

~~LATEX~~



Model	SPEC	Approx. Priming Volume(ml)	Male Luer
CET-TY10L0	2.3*4.1*220mm, Slide clamp	1.58	Slip
CET-TY10S0	2.3*4.1*220mm, Slide clamp	1.58	Rotating
CET-SY10L0	1.27*2.4*220mm, Slide clamp	0.39	Slip
CET-SY10S0	1.27*2.4*220mm, Slide clamp	0.39	Rotating

### LILY MEDICAL CORPORATION

No. 28-2, Shun Jean Diann. Chunan Town. Miaoli County, Taiwan. Tel:+886-37-612-625. www. Lily-medical.com

Drawings are not to be scaled. Information is subjected to be revised without further notice.

# Lily Medical Infusion Series Catalogue

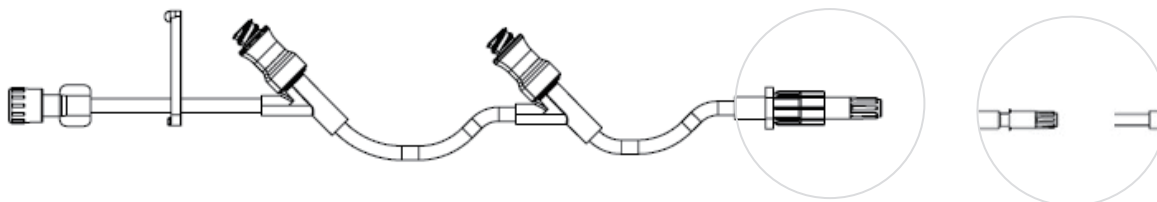


## I.V. Extension Tube Dual-Site

- Compatible with lipid.
- Natural Needleless Connector.

Non-DEHP

~~LATEX~~



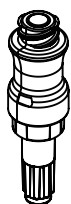
Model	SPEC	Approx. Priming Volume(ml)	Male Luer
CET-TY20L0	2.3*4.1*2200mm, Slide clamp	1.10	Slip
CET-TY20S0	2.3*4.1*2200mm, Slide clamp	1.10	Rotating

## Needleless Connector Netural Displacement

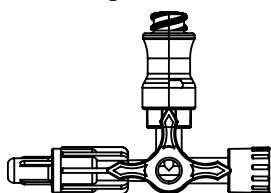
Non-DEHP

~~LATEX~~

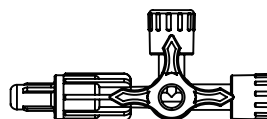
Luer Lock



Stopcock



Stopcock



Model	SPEC	Approx. Priming Volume(ml)	Male Luer
CIC-006SN	Needleless Connector with cap	0.07	Rotating
CIC-010SN	3-Way Stopcock with 1 pc needleless connector	0.37	Rotating
CIC-011SN	3-Way Stopcock with 2 pcs needleless connector	0.44	Rotating
CVP-004	3-Way Stopcock with cap	0.30	Rotating

## LILY MEDICAL CORPORATION

No. 28-2, Shun Jean Diann. Chunan Town. Miaoli County, Taiwan. Tel:+886-37-612-625. www. Lily-medical.com

Drawings are not to be scaled. Information is subjected to be revised without further notice.

# Lily Medical Infusion Series Catalogue

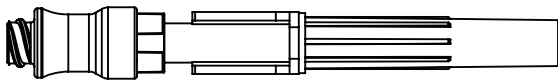


## Bag Spike

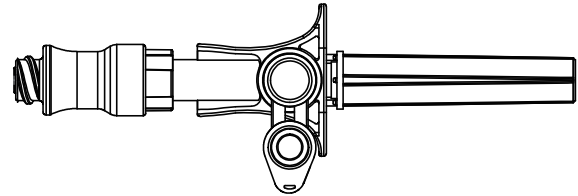
- Compatible with lipid.
- Natural Needleless Connector.

Non-DEHP

LATEX



Non- Vented



Vented

Model	SPEC	Male Luer
CIC-007SN	Vented spike with needleless connector	Spike
CIC-008SN	Non-vented spike with needleless connector	Spike

## LILY MEDICAL CORPORATION

No. 28-2, Shun Jean Diann. Chunan Town. Miaoli County, Taiwan. Tel:+886-37-612-625. [www. Lily-medical.com](http://www.Lily-medical.com)

Drawings are not to be scaled. Information is subjected to be revised without further notice.